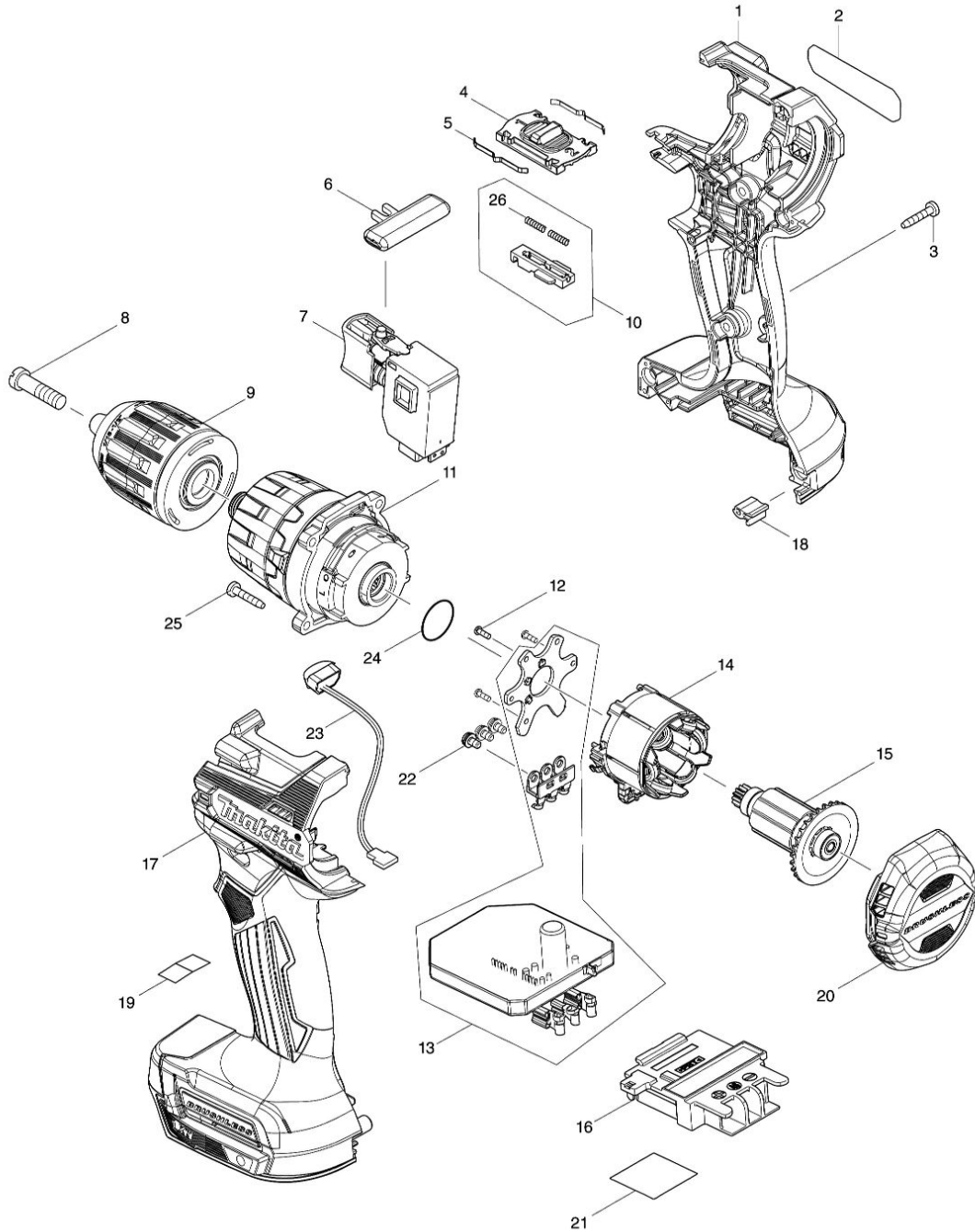


Partdrawing for DHP487Z - Klopboor-/schroefmachine



Model No.DHP487 CORDLESS HAMMER DRIVER DRILL



| Nr. | Part nr. | Name |
|------------|-----------------|-----------------------------|
| 001 | 183S07-6 | Motorhuisset DDF487 |
| 001C10 | 263005-3 | Rubber Pen 6 AC320H P |
| 001C20 | 252126-6 | Borgmoer M4X7Mm Mt070 |
| 002 | 811B94-0 | Naamplaat DHP487 |
| 003 | 266429-2 | Tapschroef 3X16 P |
| 004 | 413310-0 | Toerenhendel DDF/DHP487 |
| 005 | 232493-5 | Bladveer DF333D |
| 006 | 419041-9 | L/R Schakelknop Btd130F |
| 007 | 650689-0 | Schakelaar Bdf/Bhp459 P |
| 007-1 | 650005-6 | Schakelaar DDF/DHP487 A |
| 008 | 251468-5 | Boorkopschroef M6X22Mm Li |
| 009 | 763256-3 | Boorkop snelspan 1,5-13Mm |
| 009-1 | 763262-8 | Boorkop Snelspan 1-13Mm |
| 010 | 127758-7 | Schakelhendelset DDF/DHP487 |
| 011 | 122B23-1 | Tandwielset DHP487 A |
| 012 | 266490-9 | Parker Ck 2X6Mm DDF483 P |
| 013 | 620E45-8 | Controller DDF/DHP487 |
| 014 | 629A41-9 | Veld DDF/DHP487 |
| 015 | 619671-8 | Anker DDF/DHP487 |
| 016 | 643874-2 | Aansluitunit Dhp483 |
| 017 | 183S07-6 | Motorhuisset DDF487 |
| 017C10 | 263005-3 | Rubber Pen 6 AC320H P |
| 017C20 | 252126-6 | Borgmoer M4X7Mm Mt070 |
| 018 | 424517-3 | Bescherming Bdf459 |
| 020 | 413309-5 | Achterdeksel DDF/DHP487 |
| 021 | 811C02-7 | Label serienummer DHP487 |
| 022 | 652069-6 | Kruiskop Schroef M3X6 |
| 023 | 620549-0 | Licht Circuit Dhp483 |
| 024 | 213087-5 | O-Ring 10 AN930H P |
| 025 | 266429-2 | Tapschroef 3X16 P |
| 026 | 233025-1 | Drukveer 2 6702Dw |